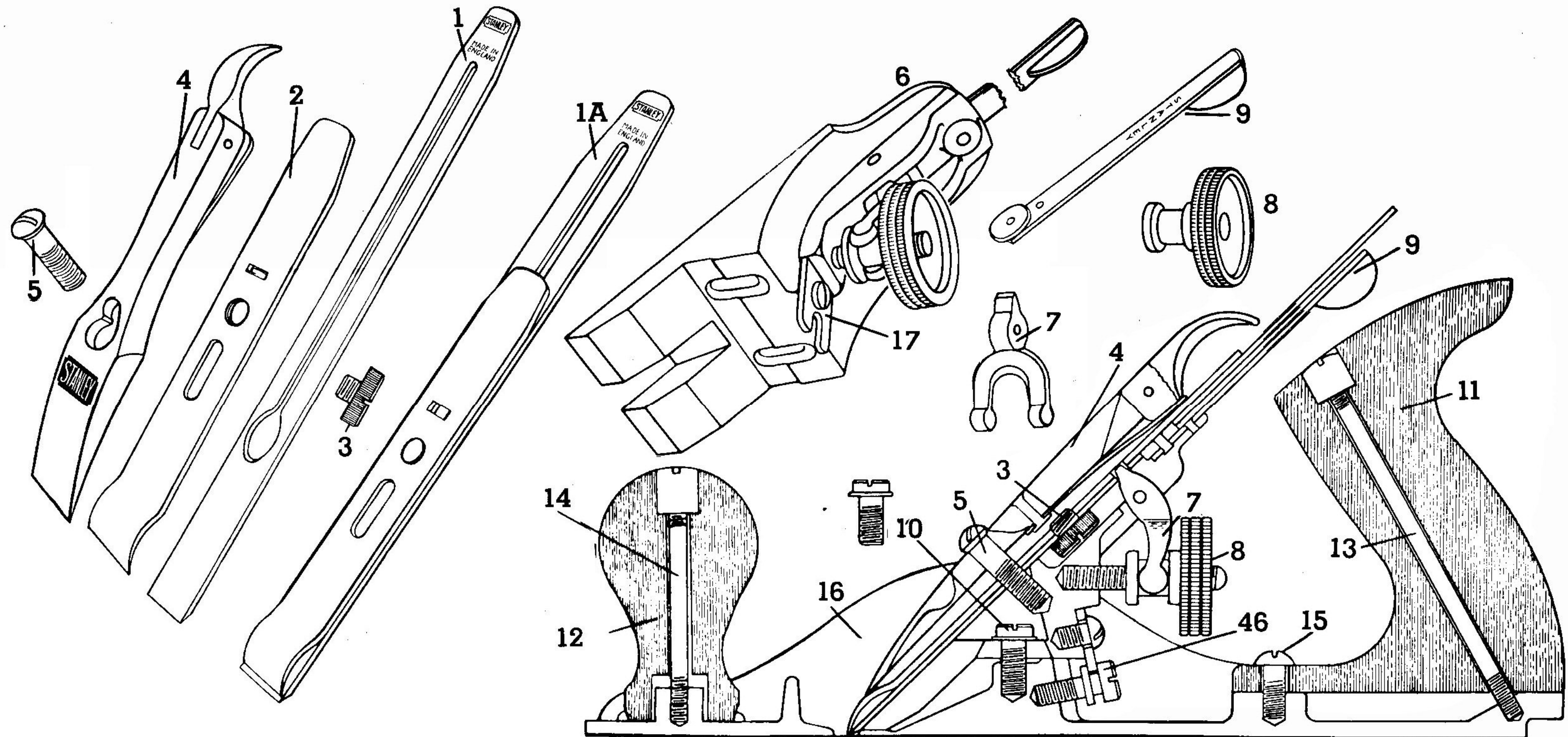


# STANLEY PLANES

STANLEY

STANLEY



- 1A** DOUBLE PLANE IRON
- 1** SINGLE " "
- 2** PLANE IRON CAP
- 3** CAP SCREW

- 4** LEVER CAP
- 5** " " SCREW
- 6** FROG COMPLETE
- 7** "Y" ADJUSTING LEVER
- 8** ADJUSTING NUT

- 9** LATERAL ADJUSTING LEVER
- 10** FROG SCREW
- 11** HANDLE
- 12** KNOB
- 13** HANDLE BOLT

- 14** KNOB BOLT & NUT
- 15** HANDLE SCREW
- 16** BOTTOM
- 17** FROG CLIP & SCREW
- 46** FROG ADJUSTING SCREW

STANLEY WORKS (G.B.) LTD.  
SHEFFIELD, ENGLAND.  
COPYRIGHT 1951

STANLEY TOOLS  
EDUCATIONAL DEPARTMENT  
WALL CHART NO. S9